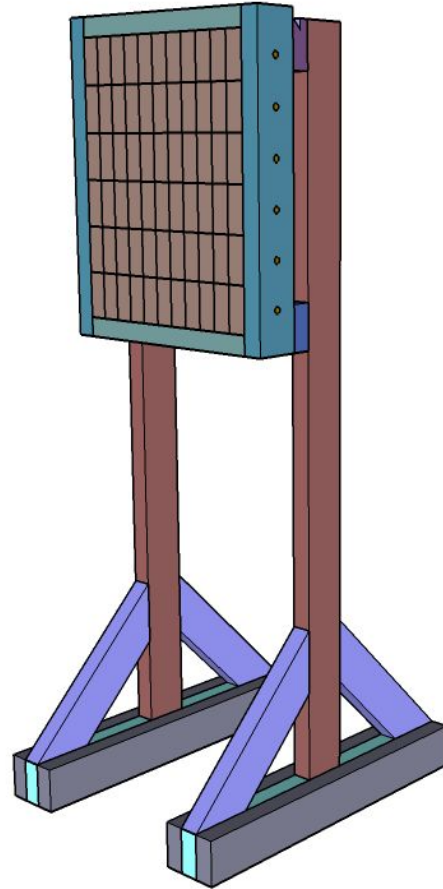


Throwing Knife Target

Designed By April Wilkerson of
www.wilkerdos.com

Copyright © 2017, April Wilkerson



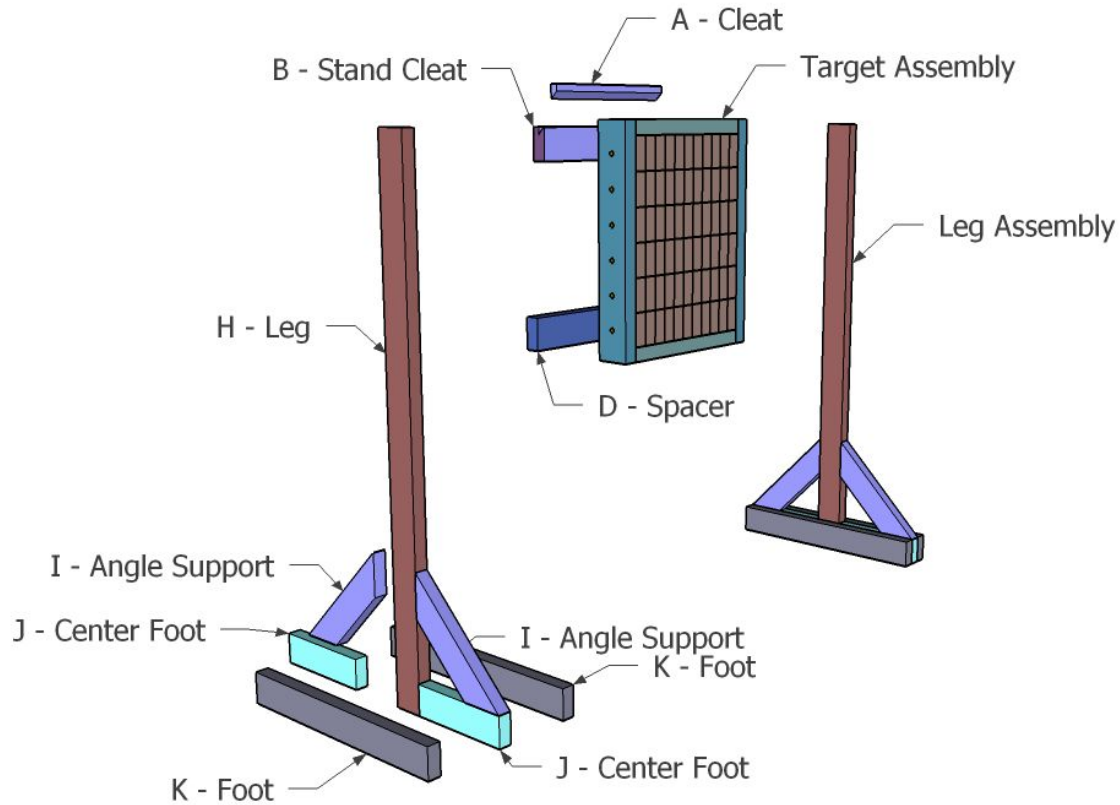
Cut List

Part ID	Part Description	Material	QTY	Length
A	Cleat	Your choice	1	16 1/2"
B	Wall Cleat	2x4	1	19 1/2"
C	Spacer	2x4	1	19"
D	Sides	2x4	2	24"
E	Top and Bottom Rail	2x4	2	16 1/2"
F	Target Blocks	2x4	66	3 1/2"
G	Dowel	1/2" dowel	6	19 1/2"
H	Leg	2x4	2	60"
I	Angle Support	2x4	2	17"
J	Center Foot	2x4	1	12"
K	Foot	2x4	2	27 1/2"

Materials List

QTY	Item	Notes
7	2" x 4" x 8'	
6	1/2" DIA Dowels 36" long	
1	1" x 2" x 96"	
Some	2 1/2" screws	
	Wood Glue	

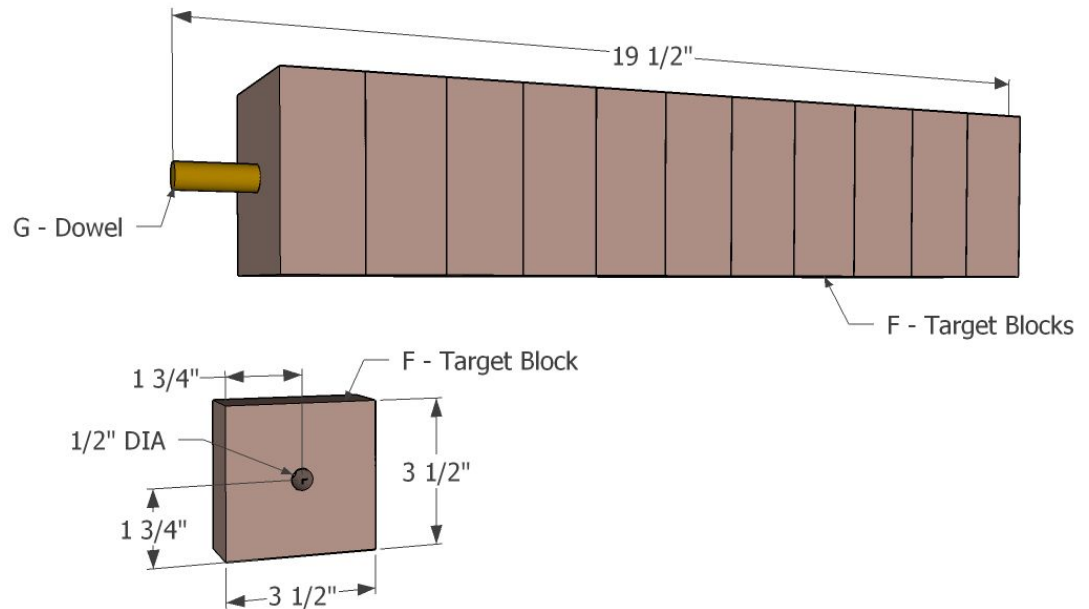
Exploded View



Build Target Blocks

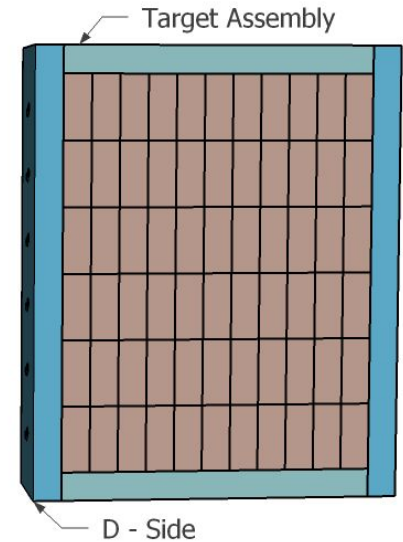
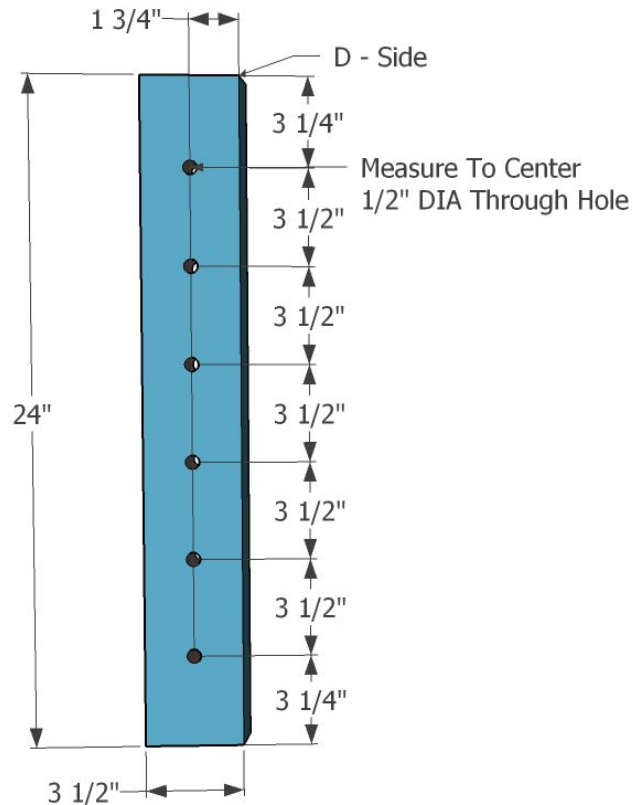
Cut out 66 Target blocks from the 2x4's

Drill a 1/2" hole in center of each block and thread onto the dowels.



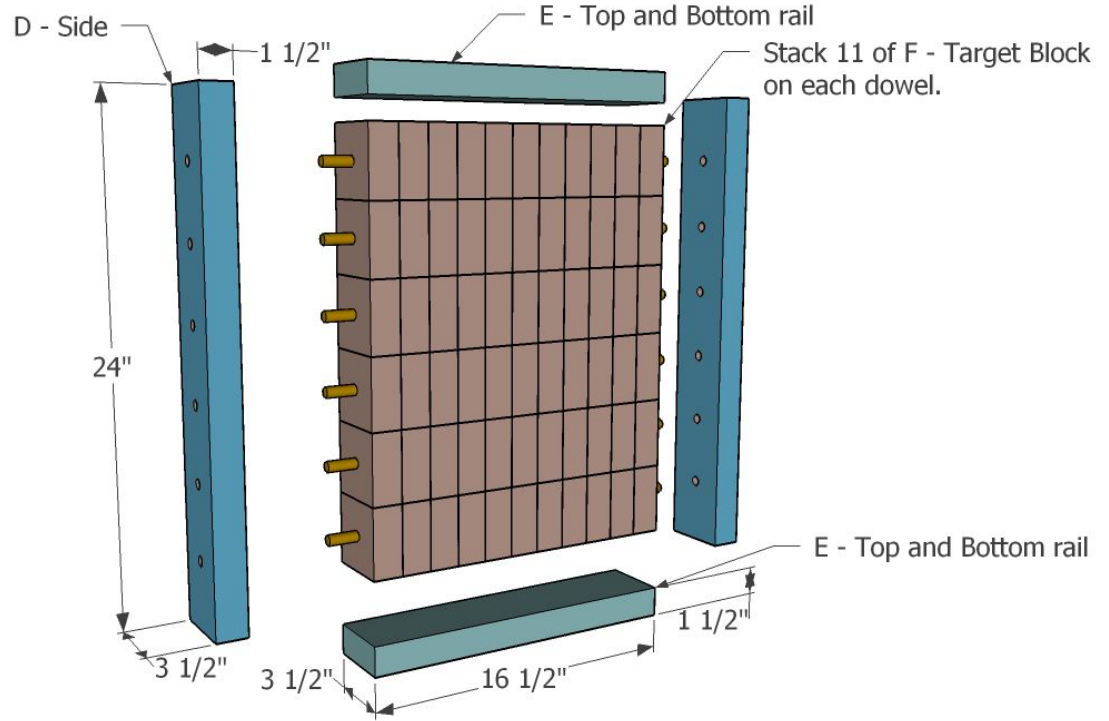
Drilling Holes in the Sides

Drill the center holes down the length of the 24" long sides and drill 1/2" holes spaced out as shown



Build Target Assembly Frame

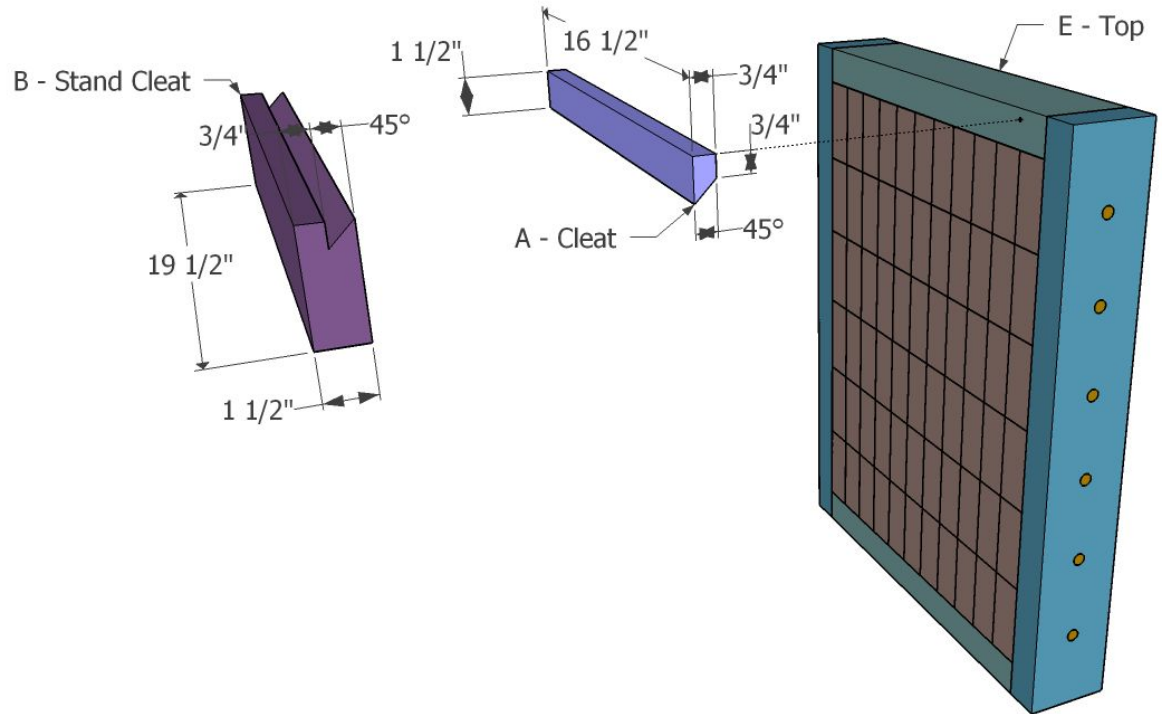
Cut Top and Bottom rails and
screw sides to it.



Attach Cleat

Attach part A - cleat flush to the top of part E - Top

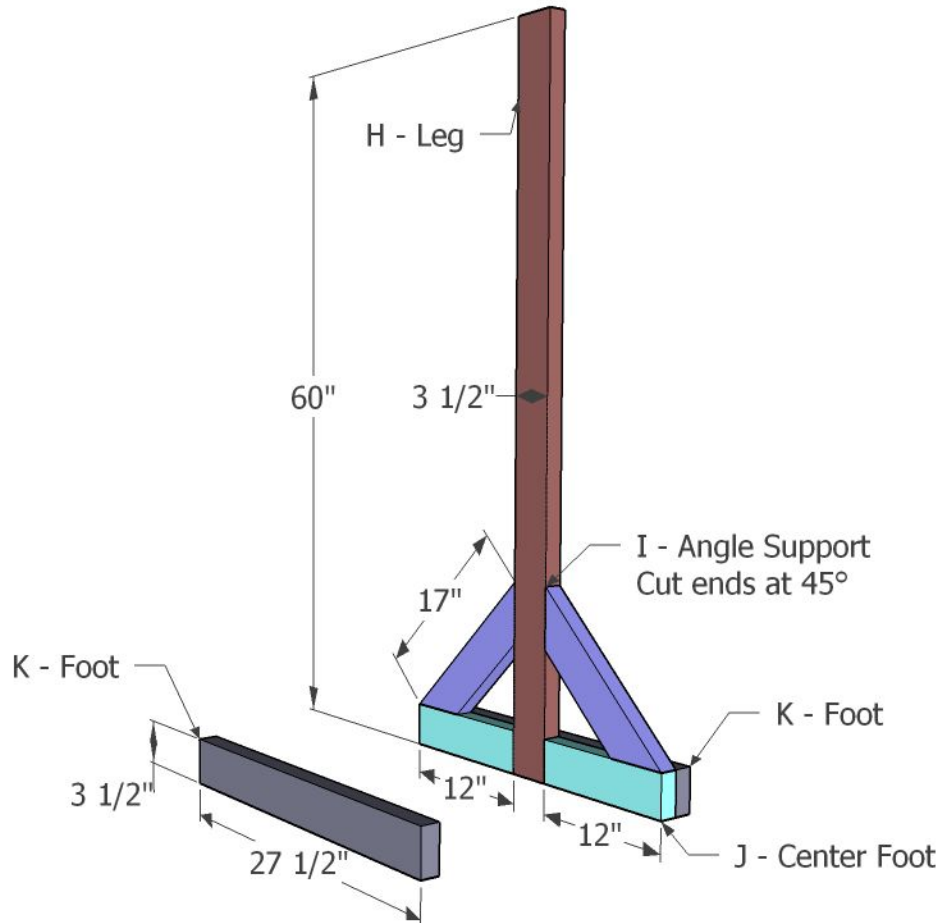
Part B - Stand Cleat will be attached to the top of the stand or to a wall.



Build the Legs

Use wood glue and 2 ½" screws to build two identical legs.

Make the all the Foot boards flush with the bottom of the Leg so it will have a flat bottom.



Build The Stand

Attach Part B - Wall cleat flush to the top of the stand and flush to the edge of the stand.

Attach Part D - Spacer 19 3/4" down from the top of the legs. If attaching the target to the wall attach spacer to the bottom of the target instead

Now you can hang the target either on the wall or on the stand.

